

# nøwatech

RESILIENT. PROVEN. TRUSTED.

[www.nowatech.co.za](http://www.nowatech.co.za)

## NowaTech Colour Chart

Colour range applies to all decking products.



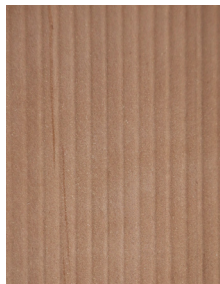
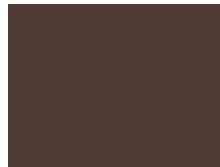
Savanna

Riverine

Kalahari

Coastal

Charcoal



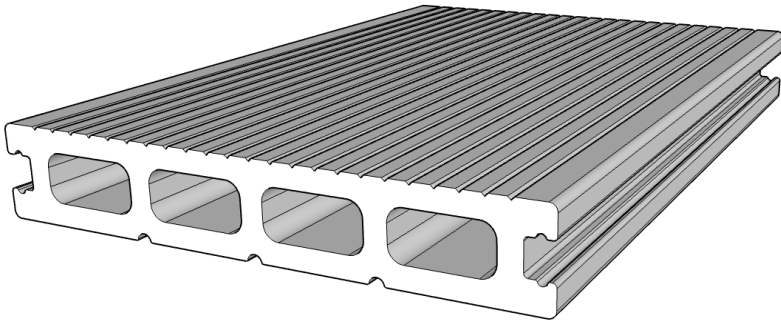
Actual product colours may vary from those depicted in the photos.

# nøwatech

RESILIENT. PROVEN. TRUSTED.

## NowaTech Decking Planks

CODE	DESCRIPTION	DIMENSION	COVERAGE
NowaDeck150	Decking Plank	150 x 25 x 4000mm	6.45m /m <sup>2</sup>



NowaTech decking planks and finishing profiles are crafted from our signature PVC wood plastic composite, ensuring durability and aesthetic appeal. Available in five standard finishes, these planks offer versatility and style for any decking project, providing a sustainable and low-maintenance alternative to traditional materials.



Green



Strong



Lightweight



Moisture  
Resistant



Fire  
Retardant



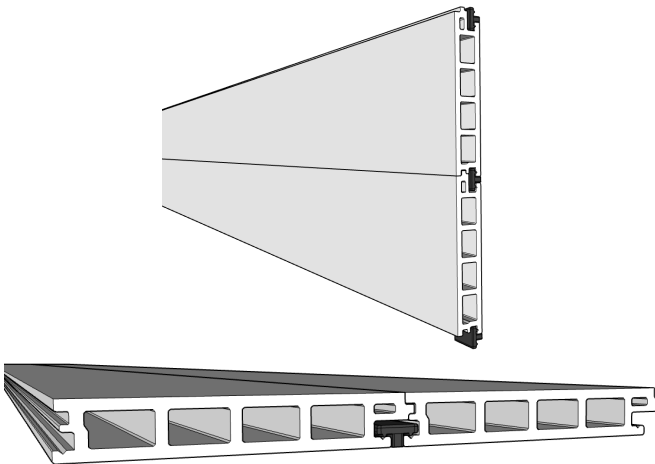
UV Stable

# nøwatech

RESILIENT. PROVEN. TRUSTED.

## NowaTech Flooring & Cladding

CODE	DESCRIPTION	DIMENSION	COVERAGE
NowaFloor	Tongue & Groove board	150 x 25 x 4000mm	6.67m /m <sup>2</sup>



NowaTech flooring and cladding profiles can be utilized for various applications, including cladding vertical surfaces, creating privacy screens, and constructing pergolas, gates and Wendy houses. These profiles can be used alone or combined to enhance architectural details and achieve a polished finish in any construction project.



Green



Strong



Lightweight



Moisture  
Resistant



Fire  
Retardant



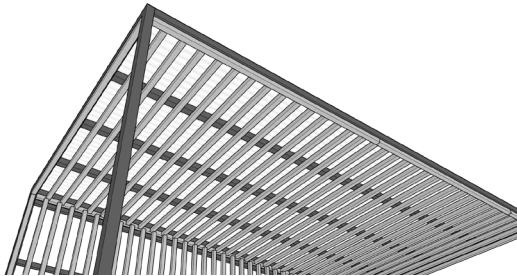
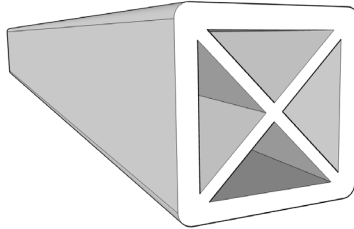
UV Stable

# nøwatech

RESILIENT. PROVEN. TRUSTED.

## NowaTech **Beam**

CODE	DESCRIPTION	DIMENSION
NowaBeam55	Decorative beam	55 x 55 x 4000mm



NowaBeam provides robust support for decking and cladding applications with its strong durable design. Engineered for stability, NowaBeam is ideal for supporting heavier loads and ensuring the longevity of your construction projects. The wood plastic composite material offers excellent resistance to environmental elements, making it suitable for any climate. Easy to install and maintain, NowaBeam is an essential component for applications requiring dependable, long-lasting support.



Green



Strong



Lightweight



Moisture  
Resistant



Fire  
Retardant



UV Stable

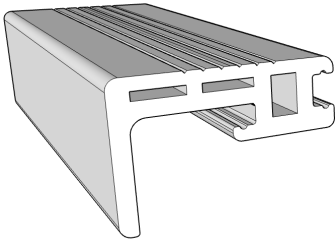
# nøwatech

RESILIENT. PROVEN. TRUSTED.

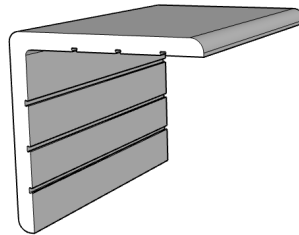
## NowaTech **Finishing Profiles**

CODE	DESCRIPTION	DIMENSION
NowaDeck75	Corner plank	75 x 25 / 50 x 4000mm
NowaCnr50	Equal angle trim	50 x 50 x 4000mm
NowaFascia	Fascia board	150 x 8 x 4000mm

Corner Plank



Corner



Fascia



Corner trims protect and enhance the finish of corners in both indoor and outdoor settings. Corners are available in lengths of 4m, these customizable trims come in our five standard colours and can also be painted. Ideal for safeguarding wall edges in busy areas like retail and medical centres, they are also suitable for export packaging. Custom lengths can be requested for bulk orders.



Green



Strong



Lightweight



Moisture  
Resistant



Fire  
Retardant



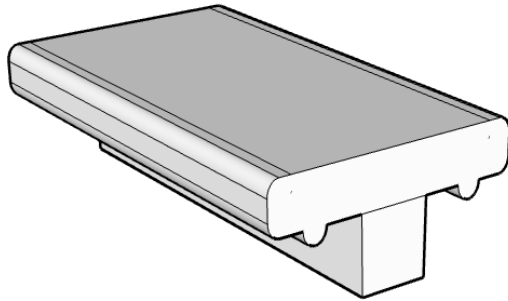
UV Stable

# nøwatech

RESILIENT. PROVEN. TRUSTED.

## NowaTech Accessories

CODE	DESCRIPTION	DIMENSION
NowaClip	Concealed nylon clip	20 x 34 x 10mm
NowaFixW -R	Wood screw - Ruspert	4.5 x 60mm
NowaFxS-C3	Steel screw - C3 Galv	8 x 45mm



Enhance your decking installations with NowaClip, featuring a concealed fastening system that eliminates visible screws for a sleek finish. This innovative clip simplifies installation, reducing time and effort while ensuring durability and a clean aesthetic. Ideal for both residential and commercial projects, NowaClip offers a secure and seamless appearance with lasting performance.



Green



Strong



Lightweight



Moisture  
Resistant



Fire  
Retardant



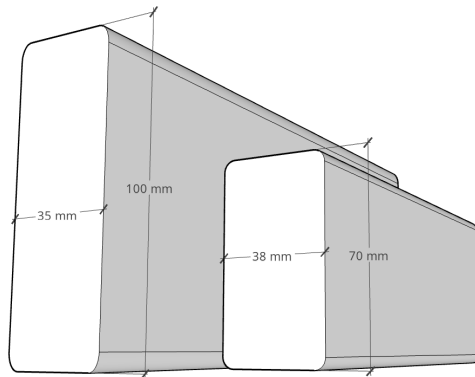
UV Stable

# nøwatech

RESILIENT. PROVEN. TRUSTED.

## NowaTech **Sub Structure**

CODE	DESCRIPTION	DIMENSION
NowaBatten13	100% recycled plastic	100 x 35 x 3500mm
NowaBatten25	100% recycled plastic	70 x 38 x 3600mm



NowaBatten is a robust substructure material, favoured for its corrosion-resistant properties. Made from 100% recycled plastic, it is an eco-friendly alternative to timber, aluminium, and steel, providing lasting support for decking and other applications.



Green



Strong



Lightweight



Moisture  
Resistant



Fire  
Retardant

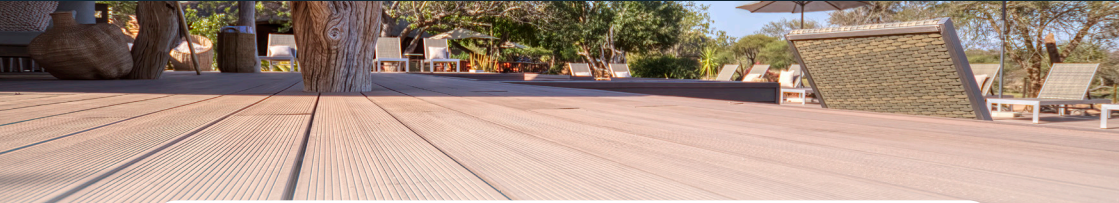


UV Stable

# nøwatech

PVC WOOD PLASTIC COMPOSITE DECKING

RESILIENT. PROVEN. TRUSTED.



“

Ultimate Decking's number one supplier! We have been working with NowaTech for over 3 years now and we are truly grateful for the excellent product and service!

”

~ Ultimate Decking BW

Facebook Review



#### Website

[www.nowatech.co.za](http://www.nowatech.co.za)



#### Phone

+27 (0)84 848 9158



#### Email

[connect@nowatech.co.za](mailto:connect@nowatech.co.za)

#### Head Office Address

Fourways Office Park, Block 3,  
1st Floor, Corner Roos Street & Fourways Boulevard,  
Fourways, Johannesburg, South Africa



#### Factory Address

8 Sentraal Street, Modimolle, Limpopo, South Africa



Green



Strong



Lightweight



Moisture  
Resistant



Fire  
Retardant



UV Stable

Refer to Installation Guide

2024